

链条导轨

Chain guidus

天津市昊荣盛业机电设备有限公司

Tianjin HaoRongShengYe Electrical Equipment Co., Ltd.



挤出车间



板材车间





原材料仓库



板材成品



挤出成品

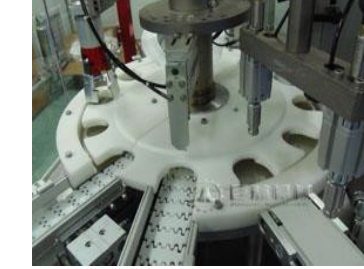
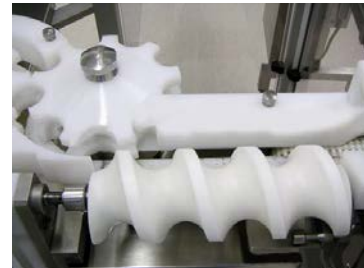
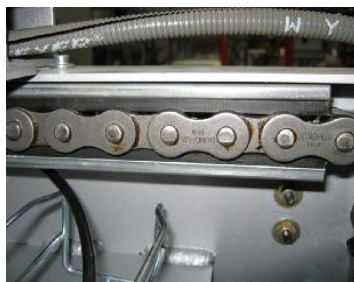
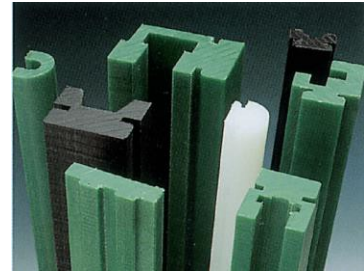
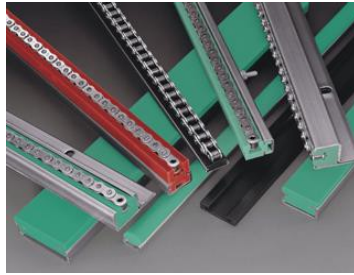
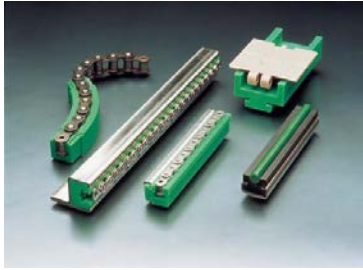


机加工成品





部分产品图及应用

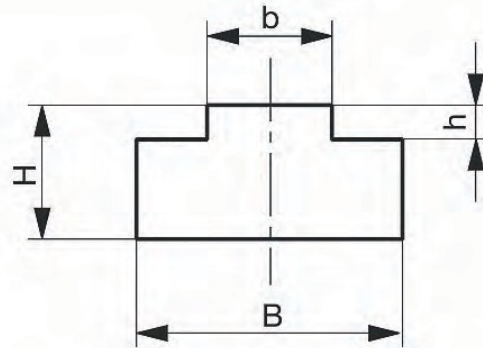


T-型单排链条导轨

按照标准滚子链条 DIN 8187/ASA DIN 8188
Chain guides for roller chains as per DIN 8187/ASA DIN 8188

天津市昊荣盛业机电设备有限公司
Tianjin HaoRongShengYe Electrical Equipment Co., Ltd.

链条导轨 Chain guides



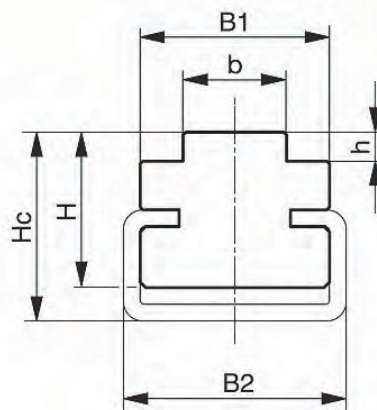
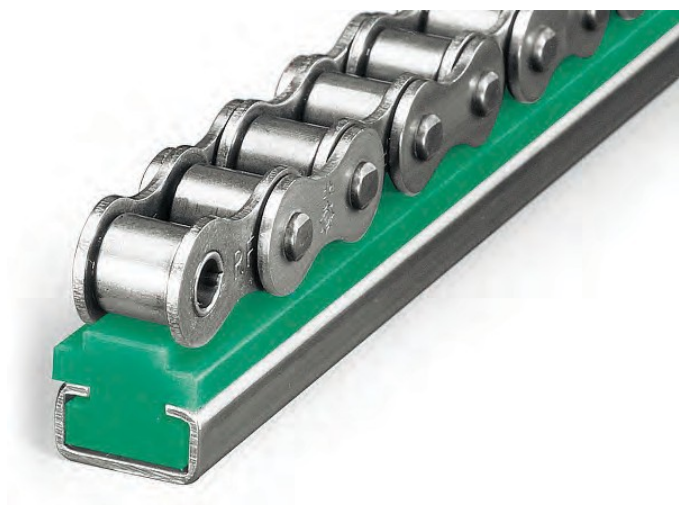
链号 Chain DIN 8187/ 8188	链号 Chain dimensions In inches	B	H	b	h
06B-1	3/8" x7/32"	15	10	5.4	1.5
08B-1	1/2" x5/16"	20	10	7.4	2.2
08B-1	1/2" x5/16"	20	15	7.4	2.2
08B-1	1/2" x5/16"	20	20	7.4	2.2
08B-1	1/2" x5/16"	20	30	7.4	2.2
10B-1	5/8" x3/8"	20	10	9.3	2.6
10B-1	5/8" x3/8"	20	15	9.3	2.6
10B-1	5/8" x3/8"	20	20	9.3	2.6
10B-1	5/8" x3/8"	20	30	9.3	2.6
12B-1	3/4" x7/16"	25	15	11.3	2.4
12B-1	3/4" x7/16"	25	20	11.3	2.4
12B-1	3/4" x7/16"	25	30	11.3	2.4
16B-1	1" x17mm	40	15	16.0	3.5
16B-1	1" x17mm	40	20	16.0	3.5
16B-1	1" x17mm	40	30	16.0	3.5
20B-1	1 1/4" x3/4"	45	15	18.0	4.2
24B-1	1 1/2" x1"	60	15	24.0	5.5
28B-1	1 3/4" x31mm	75	20	30.0	6.8
32B-1	2" x31mm	80	20	30.0	7.7
35/06C-1	3/8" x3/16"	15	10	4.4	2.3
40/08A-1	1/2" x5/16"	20	15	7.4	2.4
50/10A-1	5/8" x3/8"	20	15	8.8	2.8
60/12A-1	3/4" x1/2"	25	15	11.8	3.5
80/16A-1	1" x5/8"	40	15	14.8	4.7
100/20A-1	1 1/4" x3/4"	45	20	17.8	6.4
120/24A-1	1 1/2" x1"	55	20	23.7	8.0
140/28A-1	1 3/4" x1"	60	25	23.7	9.7
160/32A-1	2" x1 1/4"	70	25	29.7	11.3

单位：mm, Dimensions in mm

CT-型 单排链条导轨

按照标准滚子链条 DIN 8187 / ASA DIN 8188
Chain guides for roller chains as per DIN 8187 / ASA DIN 8188

天津市昊荣盛业机电设备有限公司
Tianjin HaoRongShengYe Electrical Equipment Co., Ltd.



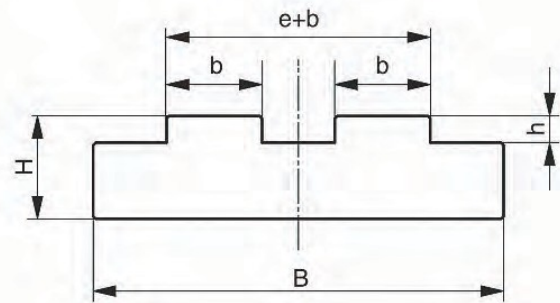
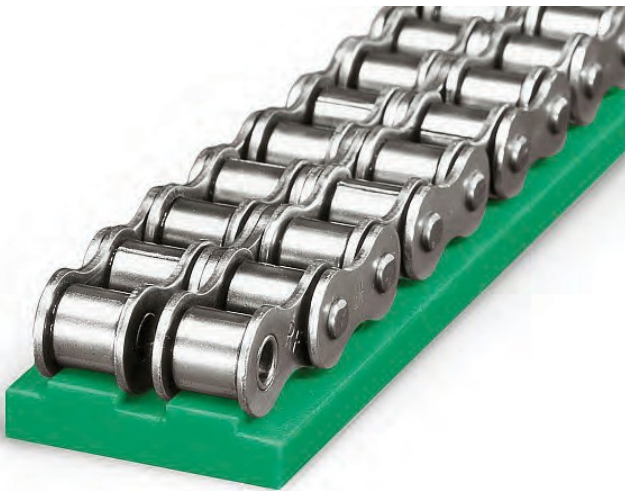
链号 Chain DIN 8187/8188	链号 Chain dimensions in inches	C 型 钢 槽	B1	B2	H	Hc	b	h
06B-1	3/8" x 7/32"	C3	17	20	14	17	5.4	1.5
08B-1	1/2" x 5/16"	C3	17	20	14	17	7.4	2.2
10B-1	5/8" x 3/8"	C3	17	20	14	17	9.3	2.6
12B-1	3/4" x 7/16"	C3	20	20	14	17	11.3	2.4
12B-1	3/4" x 7/16"	C5	24	28	14	18	11.3	2.4
16B-1	1" x 17mm	C5	24	28	14	18	16	3.5
20B-1	1 1/4" x 3/4"	C5	28	28	14	18	18	4.2
24B-1	1 1/2" x 1"	C9	33	38	23	30	24	5.5
28B-1	1 3/4" x 31mm	C9	38	38	23	30	30	6.8
32B-1	2" x 31mm	C9	38	38	23	30	30	7.7
32B-1	2" x 31mm	C12	60	60	25	35	30	7.7
35/06C-1	3/8" x 3/16"	C3	17	20	14	17	4.4	2.3
40/08A-1	1/2" x 5/16"	C3	17	20	14	17	7.4	2.4
50/10A-1	5/8" x 3/8"	C3	17	20	14	17	8.8	2.8
60/12A-1	3/4" x 1/2"	C3	20	20	14	17	11.8	3.5
80/16A-1	1" x 5/8"	C5	24	28	14	20	14.8	4.7
100/20A-1	1 1/4" x 3/4"	C5	24	28	18	23	17.8	6.4
120/24A-1	1 1/2" x 1"	C9	33	38	22	30	23.7	8.0
140/28A-1	1 3/4" x 1"	C9	33	38	25	32	23.7	9.7
160/32A-1	2" x 1 1/4"	C12	55	60	30	40	29.7	11.3

单位 : mm, Dimensions in mm

T-型双排链条导轨

按照标准滚子链条 DIN 8187/ASA DIN 8188
Chain guides for roller chains as per DIN 8187/ASA DIN 8188

天津市昊荣盛业机电设备有限公司
Tianjin HaoRongShengYe Electrical Equipment Co., Ltd.



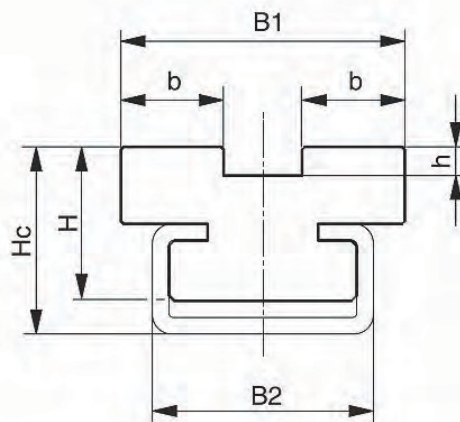
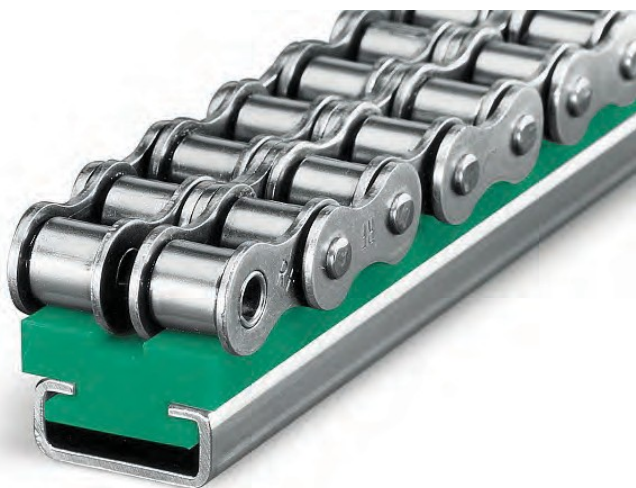
链号 Chain DIN	链号 Chain dimensions In inches	B	H	b	h	e+b
06B-2	3/8" x 7/32"	25.0	10	5.3	1.5	15.6
08B-2	1/2" x 5/16"	35.0	10	7.2	2.2	21.2
08B-2	1/2" x 5/16"	35.0	15	7.2	2.2	21.2
08B-2	1/2" x 5/16"	35.0	20	7.2	2.2	21.2
08B-2	1/2" x 5/16"	35.0	30	7.2	2.2	21.2
10B-2	5/8" x 3/8"	40.0	10	9.0	2.6	25.6
12B-2	3/4" x 7/16"	45.0	15	10.9	2.4	30.4
12B-2	3/4" x 7/16"	45.0	10	10.9	2.4	30.4
16B-2	1" x 17mm	47.8	15	15.8	3.5	47.8
20B-2	1 1/4" x 3/4"	54.7	15	18.2	4.2	54.7
24B-2	1 1/2" x 1"	72.0	20	23.6	5.5	72.0
28B-2	1 3/4" x 31mm	88.4	25	28.8	6.8	88.4
32B-2	2" x 31mm	87.4	30	28.8	7.7	87.4
35-2/06C-2	3/8" x 3/16"	25	10	4.4	2.3	14.5
40-2/08A-2	1/2" x 5/16"	35	10	7.4	2.4	21.8
50-2/10A-2	5/8" x 3/8"	40	10	8.8	2.8	26.9
60-2/12A-2	3/4" x 1/2"	40	15	11.8	3.5	34.6
80-2/16A-2	1" x 5/8"	44	15	14.8	4.7	44.0
100-2/20A-2	1 1/4" x 3/4"	53	20	17.8	6.4	53.0
120-2/24A-2	1 1/2" x 1"	69	20	23.7	8	69.0
140-2/28A-2	1 3/4" x 1"	72	20	23.7	9.7	72.0
160-2/32A-2	2" x 1 1/4"	88	25	29.7	11.3	88.0

单位：mm, Dimensions in mm

CT-型 双排链条导轨

按照标准滚子链条 DIN 8187 / ASA DIN 8188
Chain guides for roller chains as per DIN 8187 / ASA DIN 8188

天津市昊荣盛业机电设备有限公司
Tianjin HaoRongShengYe Electrical Equipment Co., Ltd.



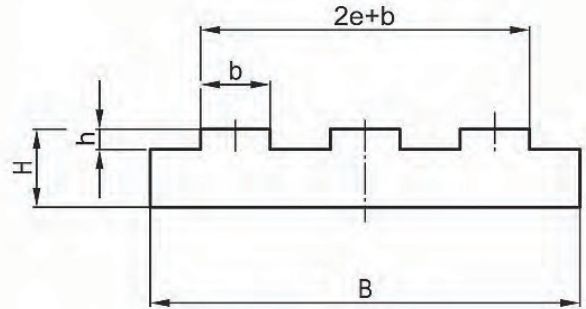
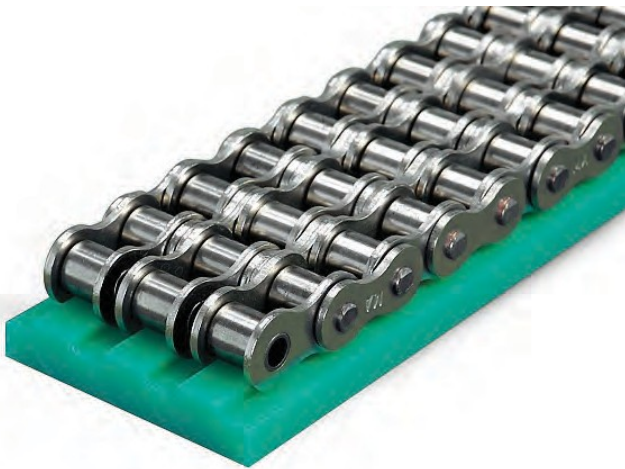
链号 Chain DIN	链号 Chain dimensions In inches	C 型钢槽	B1	B2	H	Hc	b	h
06B-2	3/8" x 7/32"	C3	15.6	20	14	17	5.3	1.5
08B-2	1/2" x 5/16"	C3	21.2	20	14	17	7.2	2.2
10B-2	5/8" x 3/8"	C3	25.6	20	14	17	9.0	2.6
12B-2	3/4" x 7/16"	C5	30.4	28	15	20	10.9	2.4
16B-2	1" x 17mm	C9	47.8	38	20	27	15.8	3.5
20B-2	1 1/4" x 3/4"	C12	54.7	60	22	30	18.2	4.2
24B-2	1 1/2" x 1"	C12	72	60	25	35	23.6	5.5
35-2 / 06C-2	3/8" x 3/16"	C3	14.5	20	14	17	4.4	2.3
40-2 / 08A-2	1/2" x 5/16"	C3	21.8	20	14	17	7.4	2.4
50-2 / 10A-2	5/8" x 3/8"	C5	26.9	28	15	20	8.8	2.8
60-2 / 12A-2	3/4" x 1/2"	C5	34.6	28	18	22	11.8	3.5
80-2 / 16A-2	1" x 5/8"	C9	44	38	22	30	14.8	4.7
100-2 / 20A-2	1 1/4" x 3/4"	C12	53	60	22	30	17.8	6.4
120-2 / 24A-2	1 1/2" x 1'	C12	69	60	25	35	23.7	8
140-2 / 28A-2	1 3/4" x 1'	C12	72	60	30	40	23.7	9.7
160-2 / 32A-2	2" x 1 1/4"	C12	88	60	40	45	29.7	11.3

单位 : mm, Dimensions in mm

T-型 叁排链条导轨

按照标准滚子链条 DIN 8187/ASA DIN 8188
Chain guides for roller chains as per DIN 8187/ASA DIN 8188

天津市昊荣盛业机电设备有限公司
Tianjin HaoRongShengYe Electrical Equipment Co., Ltd.



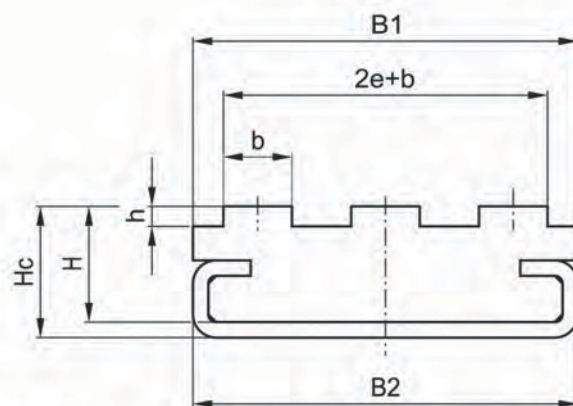
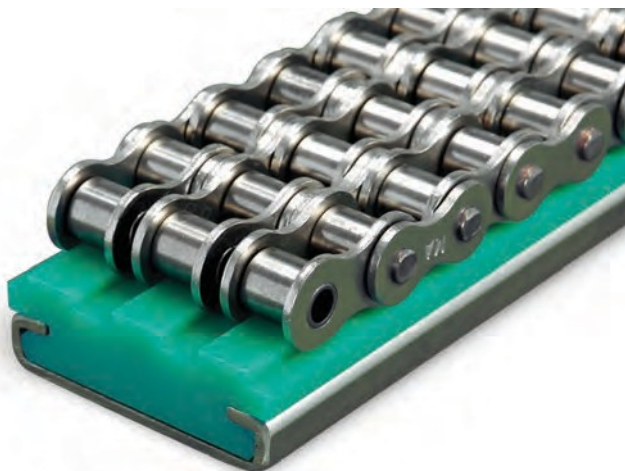
链号 Chain DIN	链号 Chain dimensions In inches	B	H	b	h	2e+b
06B-3	3/8" x 7/32"	35	10	5.3	1.5	25.9
08B-3	1/2" x 5/16"	45	10	7.1	2.2	34.9
10B-3	5/8" x 3/8"	55	10	8.9	2.6	42.1
12B-3	3/4" x 7/16"	60	15	10.7	2.4	49.7
16B-3	1" x 17mm	79.5	20	15.7	3.5	79.5
20B-3	1 1/4" x 3/4"	91	20	18.0	4.2	91
24B-3	1 1/2" x 1"	120	25	23.4	5.5	120
35-3/06C-3	3/8" x 3/16"	35	10	4.2	2.3	24.5
40-3/08A-3	1/2" x 5/16"	45	10	7.2	2.4	36
50-3/10A-3	5/8" x 3/8"	55	10	8.7	2.8	44.9
60-3/12A-3	3/4" x 1/2"	68	15	11.7	3.5	57.3
80-3/16A-3	1" x 5/8"	73.2	20	14.6	4.7	73.2
100-3/20A-3	1 1/4" x 3/4"	89.2	20	17.6	6.4	89.2
120-3/24A-3	1 1/2" x 1"	114.3	25	23.5	8	114.3

单位：mm, Dimensions in mm

CT-型 叁排链条导轨

按照标准滚子链条 DIN 8187 / ASA DIN 8188
Chain guides for roller chains as per DIN 8187 / ASA DIN 8188

天津市昊荣盛业机电设备有限公司
Tianjin HaoRongShengYe Electrical Equipment Co., Ltd.



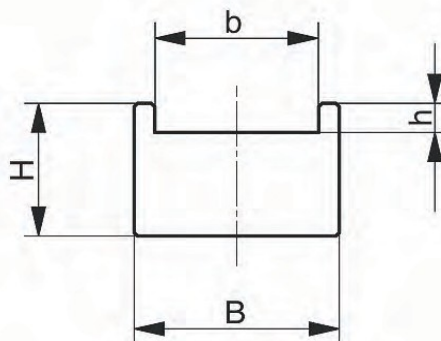
链号 Chain DIN 8187/8188	链号 Chain dimensions In inches	C 型 钢 槽	B1	B2	H	Hc	b	h	2e+b
06B-3	3/8" x 7/32"	C5	30	28	15	20	5.3	1.5	25.9
08B-3	1/2" x 5/16"	C5	34.9	28	15	20	7.1	2.2	34.9
10B-3	5/8" x 3/8"	C4	50	50	15	17	8.9	2.6	42.1
12B-3	3/4" x 7/16"	C4	49.7	50	18	20	10.7	2.4	49.7
16B-3	1" x 17mm	C6	79.5	80	20	23	15.7	3.5	79.5
20B-3	1 1/4" x 3/4"	C6	91	80	20	22	18	4.2	91
35-3/06C-3	3/8" x 3/16"	C5	30	28	15	20	4.2	2.3	24.5
40-3/08A-3	1/2" x 5/16"	C5	36	28	15	20	7.2	2.4	36
50-3/10A-3	5/8" x 3/8"	C4	50	50	15	17	8.7	2.8	44.9
60-3/12A-3	3/4" x 1/2"	C4	57.3	50	18	20	11.7	3.5	57.3
80-3/16A-3	1" x 5/8"	C6	73.2	80	20	22	14.6	4.7	73.2
100-3/20A-3	1 1/4" x 3/4"	C6	89.2	80	20	22	17.6	6.4	89.2

单位 : mm, Dimensions in mm

TU-型 单排链条导轨

按照标准滚子链条 DIN 8187 / ASA DIN 8188
Chain guides for roller chains as per DIN 8187 / ASA DIN 8188

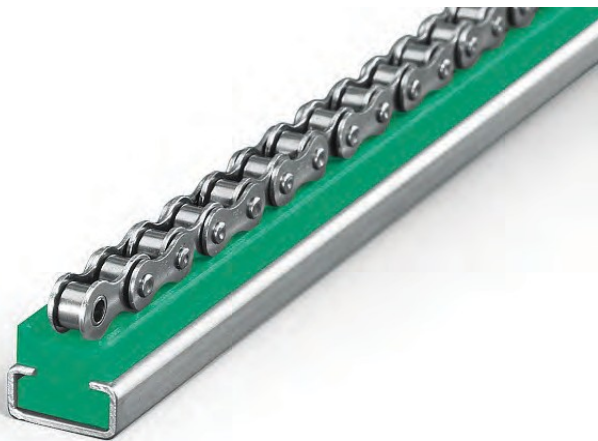
天津市昊荣盛业机电设备有限公司
Tianjin HaoRongShengYe Electrical Equipment Co., Ltd.



链号 Chain	链号 Chain	B	H	b	h
DIN8187/8188	dimensions In inches				
-	3/8" x 5/32"	15	10	12	2.2
083-1	1/2" x 3/16"	15	10	12	2.2
25/04C-1	1/4" x 1/8"	18	10	13	2.5

CTU-型 单排链条导轨

按照标准滚子链条 DIN 8187 / ASA DIN 8188
Chain guides for roller chains as per DIN 8187 / ASA DIN 8188



链号	链号 Chain	C 型 钢槽	B1	B2	H	Hc	b	h
DIN 8187/8188	dimensions In inches							
-	3/8" x 5/32"	C3	17	20	14	17	12	2.2
083-1	1/2" x 3/16"	C3	17	20	14	17	12	2.2
25/04C-1	1/4" x 1/8"	C3	18	20	12	16	13	2.5

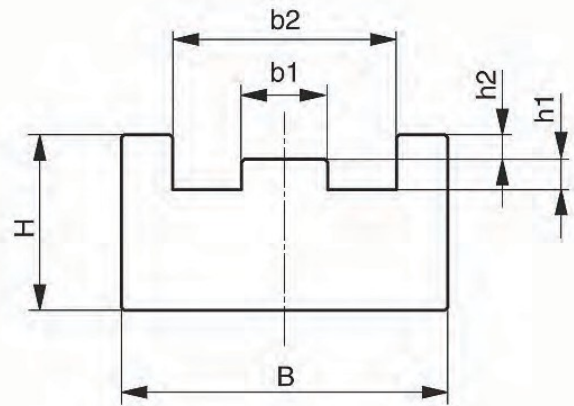
单位：mm, Dimensions in mm

www.tjhrs.com

TS-型 单排链条导轨

按照标准滚子链条 DIN 8187 / ASA DIN 8188
Chain guides for roller chains as per DIN 8187 / ASA DIN 8188

天津市昊荣盛业机电设备有限公司
Tianjin HaoRongShengYe Electrical Equipment Co., Ltd.



链号 Chain DIN 8187/8188	链号 Chain dimensions In inches	B	H	b1	b2	h1	h2
06B-1	3/8" x 7/32"	20	10	3.8	13.0	1.5	1.1
083-1	1/2" x 3/16"	20	10	3.0	12.4	1.6	1.4
085-1	1/2" x 1/4"	22	10	4.5	15.1	2.2	1.6
08B-1	1/2" x 5/16"	25	15	5.7	16.3	2.2	1.6
-	5/8" x 1/4	25	15	4.1	16.1	2.6	2.1
10B-1	5/8" x 3/8"	28	15	7.4	19.2	2.6	2.1
12B-1	3/4" x 7/16"	30	20	9.2	21.8	2.4	2.8
16B-1	1" x 17mm"	42	25	15.0	35.0	3.5	3.3
20B-1	1 1/4" x 3/4"	50	25	16.8	40.0	4.2	4.0
35/06C-1	3/8" x 3/16"	20	10	3.7	11	2.3	0.7
40/08A-1	1/2" x 5/16"	25	10	6.3	15.5	2.4	1.8
50/10A-1	5/8" x 3/8"	30	15	7.5	19.5	2.8	2.3
60/12A-1	3/4" x 1/2"	35	15	10.1	24.4	3.5	2.7
80/16A-1	1" x 5/8"	40	20	12.6	31.3	4.7	3.6
100/20A-1	1 1/4" x 3/4"	50	25	15.1	38.4	6.4	4.3
120/24A-1	1 1/2" x 1"	60	30	20.2	48.6	8.0	5.0
140/28A-1	1 3/4" x 1"	70	30	20.2	52.5	9.7	5.7
160/32A-1	2" x 1 1/4"	80	35	25.2	62.5	10.3	6.4

单位 : mm, Dimensions in mm

CTS-型 单排链条导轨

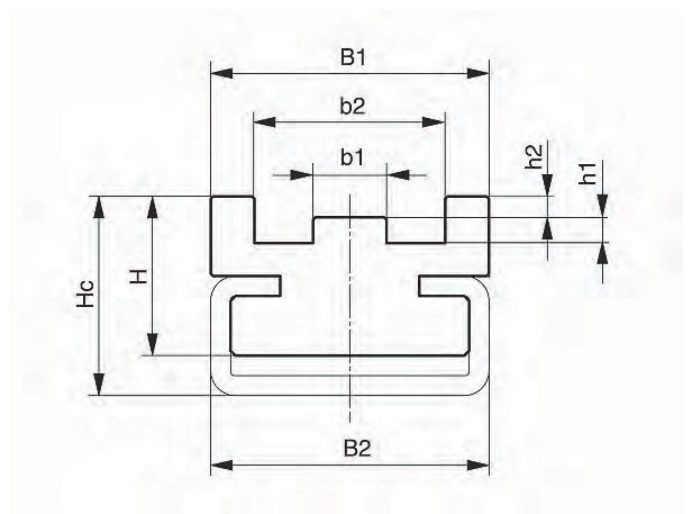
按照标准滚子链条 DIN 8187/ASA DIN 8188

Chain guides for roller chains as per DIN 8187/ASA DIN 8188

天津市昊荣盛业机电设备有限公司

Tianjin HaoRongShengYe Electrical Equipment Co., Ltd.

链条导轨 Chain guides



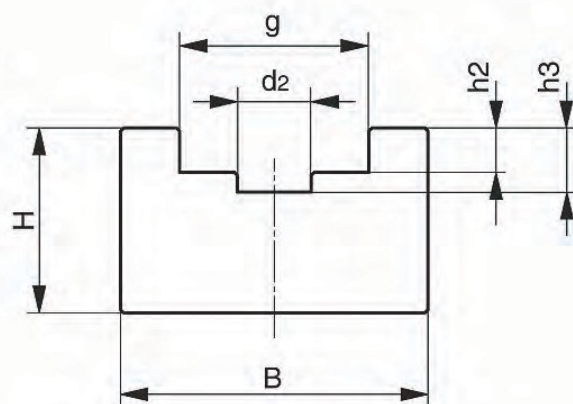
链号 Chain DIN8187/8188	链号 Chain dimensions in inches	C 型 钢 槽	B1	B2	H	Hc	b1	b2	h1	h2
06B-1	3/8" x 7/32"	C3	20	20	14	17	3.8	13	1.5	1.1
08B-1	1/2" x 3/16"	C3	20	20	14	17	3.0	12.4	1.6	1.4
085-1	1/2" x 1/4"	C3	22	20	14	17	4.5	15.1	2.2	1.6
08B-1	1/2" x 5/16"	C3	25	20	16	20	5.7	16.3	2.2	1.6
-	5/8" x 1/4"	C3	25	20	16	20	4.1	16.1	2.6	2.1
10B-1	5/8" x 3/8"	C5	28	28	16	20	7.4	19.2	2.6	2.1
12B-1	3/4" x 7/16"	C5	30	28	18	22	9.2	21.8	2.4	2.8
16B-1	1" x 17mm	C9	42	38	25	30	15	35	3.5	3.3
20B-1	1 1/4" x 3/4"	C9	50	38	30	35	16.8	40	4.2	4.0
35/06C-1	3/8" x 3/16"	C3	20	20	14	17	3.7	11	2.3	0.7
40/08A-1	1/2" x 5/16"	C3	25	20	14	18	6.3	15.5	2.4	1.8
50/10A-1	5/8" x 3/8"	C5	30	28	18	22	7.5	19.5	2.8	2.3
60/12A-1	3/4" x 1/2"	C5	35	28	20	25	10.1	24.4	3.5	2.7
80/16A-1	1" x 5/8"	C9	40	38	25	32	12.6	31.3	4.7	3.6
100/20A-1	1 1/4" x 3/4"	C9	50	38	30	37	15.1	38.4	6.4	4.3
120/24A-1	1 1/2" x 1"	C12	60	60	35	40	20.2	48.6	8.0	5.0
140/28A-1	1 3/4" x 1"	C12	70	60	35	43	20.2	52.5	9.7	5.7
160/32A-1	2" x 1 1/4"	C12	80	60	40	47	25.2	62.5	10.3	6.4

单位 : mm, Dimensions in mm

U-型 单排链条导轨

按照标准滚子链条 DIN 8187 / ASA DIN 8188
Chain guides for roller chains as per DIN 8187 / ASA DIN 8188

天津市昊荣盛业机电设备有限公司
Tianjin HaoRongShengYe Electrical Equipment Co., Ltd.



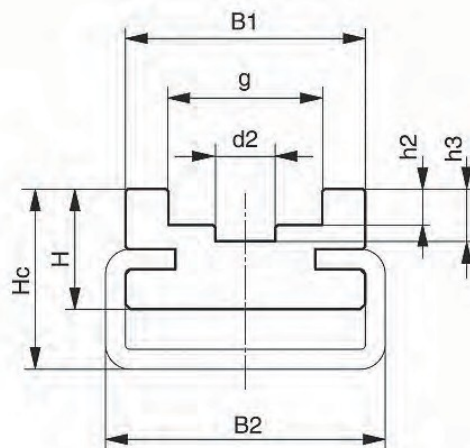
链号 Chain DIN 8187/8188	链号 Chain dimensions in inches	B	H	d2	g	h2	h3
06B-1	3/8" x 7/32"	20	15	4	9.4	2.8	4.2
08B-1	1/2" x 3/16	20	15	5	10.8	2.3	3.8
08B-1	1/2" x 5/16"	25	15	5	12.8	3.5	5.0
085-1	1/2" x 1/4	20	15	5	11.8	3.2	4.7
10B-1	5/8" x 3/8"	25	15	6	15.4	3.6	5.0
12B-1	3/4" x 7/16"	25	20	7	17.0	3.9	5.7
16B-1	1" x 17mm	33	25	10	24.0	8.4	10.6
20B-1	1 1/4" x 3/4"	55	25	11	28.0	10.0	12.2
24B-1	1 1/2" x 1"	60	30	16	36.6	13.0	16.0
28B-1	1 3/4" x 31mm	65	30	17	40.0	16.0	18.0
32B-1	2" x 31mm	70	30	20	44.6	16.0	20.0
25/04C-1	1/4" x 1/8"	15	10	2.9	6.6	1.7	3.1
35/06C-1	3/8" x 3/16"	20	15	4.5	10	2.7	4.5
40/08A-1	1/2" x 5/16"	20	15	5	13.2	3.1	5.2
50/10A-1	5/8" x 3/8"	25	15	6.4	16.5	4.2	6.5
60/12A-1	3/4" x 1/2"	30	20	7.4	19.8	5	7.5
80/16A-1	1" x 5/8"	35	20	9.9	26.5	6.3	9.3
100/20A-1	1 1/4" x 3/4"	40	25	11.9	33.1	8.3	11.7
120/24A-1	1 1/2" x 1"	55	25	13.9	39.8	9.8	13.4
140/28A-1	1 3/4" x 1"	60	30	15.9	46.4	11.5	15.6
160/32A-1	2" x 1 1/4"	65	35	17.8	53	13.5	17.8

单位 : mm, Dimensions in mm

CU-型 单排链条导轨

按照标准滚子链条 DIN 8187/ASA DIN 8188
Chain guides for roller chains as per DIN 8187/ASA DIN 8188

天津市昊荣盛业机电设备有限公司
Tianjin HaoRongShengYe Electrical Equipment Co., Ltd.



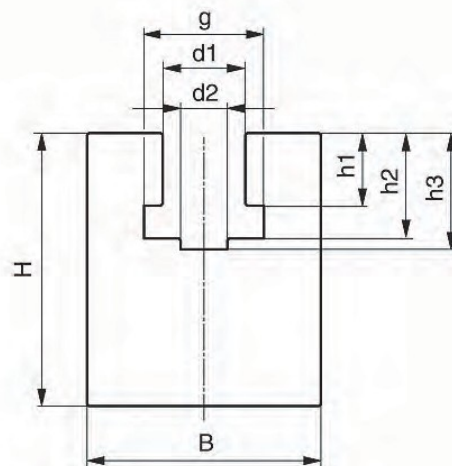
链号 Chain DIN 8187/ 8188	链号 Chain dimensions In inches	C 型 钢 槽	B1	B2	H	Hc	d2	g	h2	h3
06B-1	3/8" x 7/32"	C3	20	20	14	17	4.0	9.4	2.8	4.4
085-1	1/2" x 1/4"	C5	28	28	14	18	5.0	11.8	3.2	4.7
08B-1	1/2" x 5/16"	C1	20	24	10	11	5.0	12.8	3.5	5.0
10B-1	5/8" x 3/8"	C5	24	28	12	18	6.0	15.4	3.6	5.0
12B-1	3/4" x 7/16"	C5	24	28	12	18	7.0	17	3.9	5.7
16B-1	1" x 17mm	C9	33	38	20	30	10	24	8.4	10.6
20B-1	1 1/4" x 3/4"	C12	60	60	25	35	11	28	10	12.2
24B-1	1 1/2" x 1"	C12	60	60	30	40	16	36.6	13	16
28B-1	1 3/4" x 31mm	C12	65	60	38	45	17	40	16	18
32B-1	2" x 31mm	C12	70	60	38	45	20	44.6	16	20
25/04C-1	1/4" x 1/8"	C3	17	20	12	15	2.9	6.6	1.7	3.1
35/06C-1	3/8" x 3/16"	C3	20	20	14	18	4.5	10	2.7	4.5
40/08A-1	1/2" x 5/16"	C3	20	20	14	18	5.0	13.2	3.1	5.2
50/10A-1	5/8" x 3/8"	C3	25	20	16	20	6.4	16.5	4.2	6.5
60/12A-1	3/4" x 1/2"	C5	30	28	18	22	7.4	19.8	5	7.5
80/16A-1	1" x 5/8"	C5	35	28	20	25	9.9	26.5	6.3	9.3
100/20A-1	1 1/4" x 3/4"	C9	40	38	27	35	11.9	33.1	8.3	11.7
120/24A-1	1 1/2" x 1"	C9	55	38	30	37	13.9	39.8	9.8	13.4
140/28A-1	1 3/4" x 1"	C12	60	60	30	40	15.9	46.4	11.5	15.6
160/32A-1	2" x 1 1/4"	C12	65	60	35	42	17.8	53	13.5	17.8

单位 : mm, Dimensions in mm

K-型 单排链条导轨

按照标准滚子链条 DIN 8187 / ASA DIN 8188
Chain guides for roller chains as per DIN 8187 / ASA DIN 8188

天津市昊荣盛业机电设备有限公司
Tianjin HaoRongShengYe Electrical Equipment Co., Ltd.



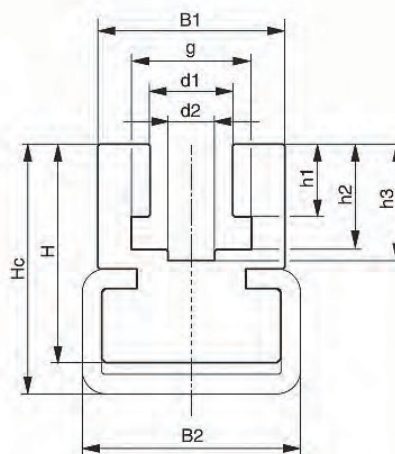
链号 Chain DIN8187/8188	链号 Chain dimensions in inches	B	H	d1	d2	g	h1	h2	h3
06B-1	3/8" x 7/32"	20	25	6.6	4	9.4	5.5	8.9	10.0
083-1	1/2" x 3/16	20	25	8.0	5	10.8	4.5	8.0	9.5
085-1	1/2" x 1/4"	24	30	8.0	5	11.8	6.2	9.8	11.3
08B-1	1/2" x 5/16"	24	30	8.9	5	12.8	7.4	11.5	13.0
10B-1	5/8" x 3/8"	30	35	10.6	6	15.4	9.3	13.5	14.9
12B-1	3/4" x 7/16	40	35	12.4	7	17.0	11.3	15.9	17.5
16B-1	1" x 17mm	40	45	16.4	10	24.0	16.0	25.7	27.7
20B-1	1 1/4" x 3/4"	50	50	20.0	11	28.0	18.0	29.5	31.7
24B-1	1 1/2" x 1"	60	60	27.0	16	36.6	24.0	38.2	41.2
28B-1	1 3/4" x 31mm	60	70	30.0	17	41.0	30.0	47.0	49.0
32B-1	2" x 31mm	70	75	31.0	19	44.6	30.0	47.3	50.0
35/06C-1	3/8" x 3/16"	20	25	5.3	4.5	10	4.4	7.8	9.3
40/08A-1	1/2" x 5/16"	25	30	8.3	5	13.2	7.4	11.7	13.4
50/10A-1	5/8" x 3/8"	30	35	10.7	6.4	16.5	8.8	14.5	16.2
60/12A-1	3/4" x 1/2"	35	40	12.5	7.4	19.8	11.8	18.5	20.5
80/16A-1	1" x 5/8"	40	45	16.7	9.9	26.5	14.8	23.5	25.6
100/20A-1	1 1/4" x 3/4"	50	50	20	11.9	33.1	17.8	28.7	31.2
120/24A-1	1 1/2" x 1"	60	60	23.3	13.9	39.8	23.7	36.9	39.6
140/28A-1	1 3/4" x 1"	65	60	26.7	15.9	46.4	23.7	38.9	41.7
160/32A-1	2" x 1 1/4"	75	70	30	17.8	53	29.7	47	50.3

单位 : mm, Dimensions in mm

CK-型 单排链条导轨

按照标准滚子链条 DIN 8187/ASA DIN 8188
Chain guides for roller chains as per DIN 8187/ASADIN 8188

天津市昊荣盛业机电设备有限公司
Tianjin HaoRongShengYe Electrical Equipment Co., Ltd.



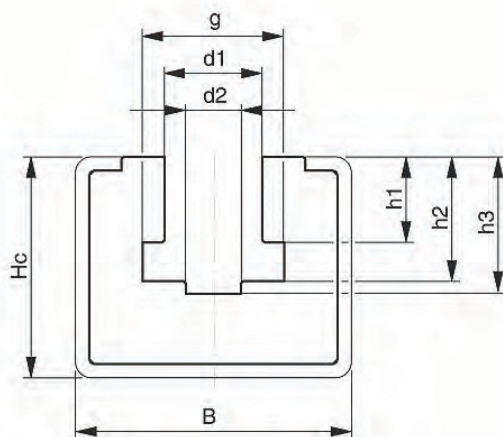
链号 Chain DIN8187/8188	链号 Chain dimensions in inches	C 型 钢槽	B1	B2	H	Hc	d1	d2	g	h1	h2	h3
06B-1	3/8" x 7/32"	C3	20	20	18	21	6.6	4	9.4	5.5	8.9	10
085-1	1/2" x 1/4"	C7	24	28	28	32	8	5	11.8	6.2	9.8	11.3
08B-1	1/2" x 5/16"	C7	24	28	28	32	8.9	5	12.8	7.4	11.5	13
10B-1	5/8" x 3/8"	C7	24	28	28	32	10.6	6	15.4	9.3	13.5	14.9
12B-1	3/4" x 7/16"	C9	32	38	35	43	12.4	7	17	11.3	15.9	17.5
16B-1	1" x 17mm	C9	40	38	45	50	16.4	10	24	16	25.7	27.7
20B-1	1 1/4" x 3/4"	C12	60	60	50	55	20	11	28	18	29.5	31.7
24B-1	1 1/2 x 1"	C12	60	60	60	65	27	16	36.6	24	38.2	41.2
28B-1	1 3/4" x 31mm	C12	70	60	75	80	30	17	40	30	47	49
32B-1	2" x 31mm	C12	70	60	75	80	31	19	44.6	30	47.3	50
35/06C-1	3/8" x 3/16"	C3	20	20	22	25	5.3	4.5	10	4.4	7.8	9.3
40/08A-1	1/2" x 5/16"	C3	25	20	27	30	8.3	4.5	13.2	7.4	11.7	13.4
50/10A-1	5/8" x 3/8"	C5	30	28	30	35	10.7	6.4	16.5	8.8	14.5	16.2
60/12A-1	3/4" x 1/2"	C5	35	28	35	40	12.5	7.4	19.8	11.8	18.5	20.5
80/16A-1	1" x 5/8"	C9	40	38	45	50	16.7	9.9	26.5	14.8	23.5	25.6
100/20A-1	1 1/4" x 3/4"	C9	50	38	50	57	20	11.9	33.1	17.8	28.7	31.2
120/24A-1	1 1/2" x 1"	C12	60	60	60	65	23.3	13.9	39.8	23.7	36.9	39.6
140/28A-1	1 3/4" x 1"	C12	65	60	65	70	26.7	15.9	46.4	23.7	38.9	41.7
160/32A-1	2" x 1 1/4"	C12	75	60	75	80	30	17.8	53	29.7	47	50.5

单位：mm, Dimensions in mm

CKG-型 单排链条导轨

按照标准滚子链条 DIN 8187 / ASA DIN 8188
Chain guides for roller chains as per DIN 8187 / ASA DIN 8188

天津市昊荣盛业机电设备有限公司
Tianjin HaoRongShengYe Electrical Equipment Co., Ltd.



链号 Chain DIN8187/8188	链号 Chain dimensions in inches	C 型 钢 槽	B	Hc	d1	d2	g	h1	h2	h3
06B-1	3/8" x 7/32"	C10	30	24	6.6	4	9.4	5.5	8.9	10
083-1	1/2" x 3/16"	C10	30	24	8	5	10.8	4.5	8	9.5
085-1	1/2" x 1/4"	C10	30	24	8	5	11.8	6.2	9.8	11.3
08B-1	1/2" x 5/16"	C10	30	24	8.9	5	12.8	7.4	11.5	13
10B-1	5/8" x 3/8"	C10	30	24	10.6	6	15.4	9.3	13.5	14.9
12B-1	3/4" x 7/16"	C10	30	24	12.4	7	17	11.3	15.9	17.5
16B-1	1" x 17mm	C11	45	40	16.4	10	24	16	25.7	27.7
20B-1	1 1/4" x 3/4"	C11	45	40	20	11	28	18	29.5	31.7
24B-1	1 1/2 x 1"	C13	65	55	27	16	36.6	24	38.2	41.2
28B-1	1 3/4" x 31mm	C13	65	60	30	17	41	30	47	49
32B-1	2" x 31mm	C13	65	60	31	19	44.6	30	47.3	50
35/06C-1	3/8" x 3/16"	C10	30	24	5.3	4.5	10	4.4	7.8	9.3
40/08A-1	1/2" x 5/16"	C10	30	24	8.3	5	13.2	7.4	11.7	13.4
50/10A-1	5/8" x 3/8"	C10	30	24	10.7	6.4	16.5	8.8	14.5	16.2
60/12A-1	3/4" x 1/2"	C10	30	24	12.5	7.4	19.8	11.8	18.5	20.5
80/16A-1	1" x 5/8"	C11	45	40	16.7	9.9	26.5	14.8	23.5	25.6
100/20A-1	1 1/4" x 3/4"	C11	45	40	20	11	33	17.8	28.7	31.2
120/24A-1	1 1/2" x 1"	C13	65	55	23.4	13.9	39.8	23.7	36.9	39.6
140/28A-1	1 3/4" x 1"	C13	65	60	26.7	15.9	46.4	23.7	38.9	41.7

单位 : mm, Dimensions in mm

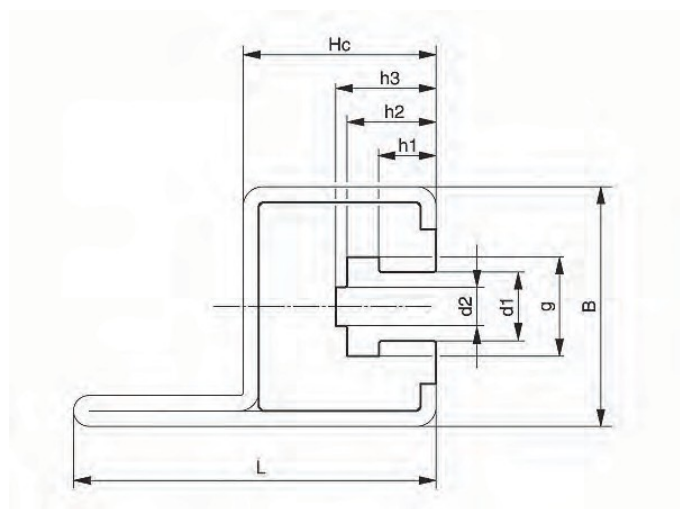
CKG 14H-型 单排链条导轨选型指南

按照标准滚子链条 DIN 8187/ASA DIN 8188

Chain guides for roller chains as per DIN 8187/ASA DIN 8188

天津市昊荣盛业机电设备有限公司

Tianjin HaoRongShengYe Electrical Equipment Co., Ltd.



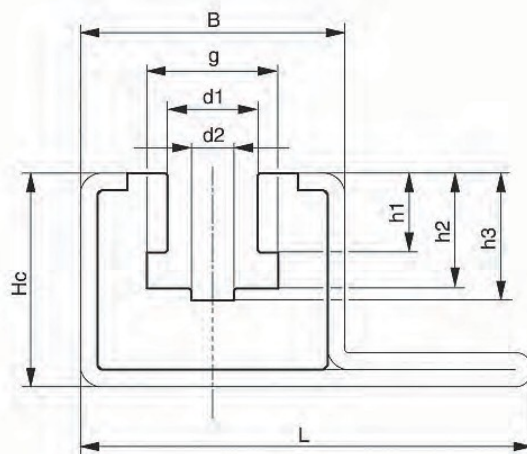
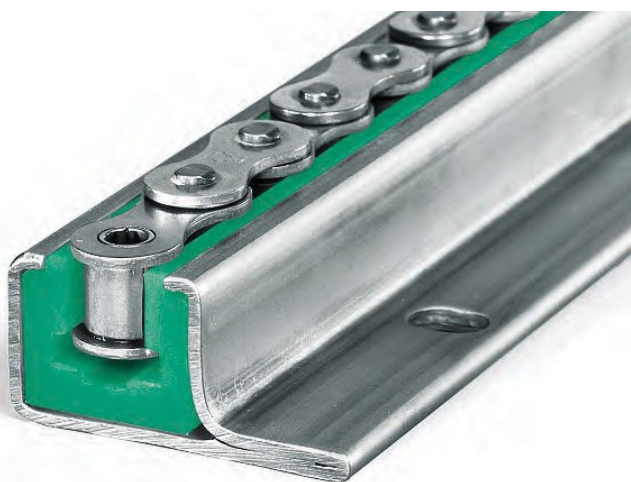
链号 Chain DIN8187/8188	链号 Chain dimensions in inches	C 型 钢 槽	B	Hc	L	d1	d2	g	h1	h2	h3
06B-1	3/8" x 7/32"	C14H	30	24	47	6.6	4	9.4	5.5	8.9	10
083-1	1/2" x 3/16"	C14H	30	24	47	8	5	10.8	4.5	8	9.5
085-1	1/2" x 1/4"	C14H	30	24	47	8	5	11.8	6.2	9.8	11.3
08B-1	1/2" x 5/16"	C14H	30	24	47	8.9	5	12.8	7.4	11.5	13
10B-1	5/8" x 3/8"	C14H	30	24	47	10.6	6	15.4	9.3	13.5	14.9
12B-1	3/4" x 7/16"	C14H	30	24	47	12.4	7	17	11.3	15.9	17.5
35/06C-1	3/8" x 3/16"	C14H	30	24	47	5.3	4.5	10	4.4	7.8	9.3
40/08A-1	1/2" x 5/16"	C14H	30	24	47	8.3	5	13.2	7.4	11.7	13.4
50/10A-1	5/8" x 3/8"	C14H	30	24	47	10.7	6.4	16.5	8.8	14.5	16.2
60/12A-1	3/4" x 1/2"	C14H	30	24	47	12.5	7.4	19.8	11.8	18.5	20.5

单位：mm, Dimensions in mm

CKG 15V-型 单排链条导轨

按照标准滚子链条 DIN 8187 / ASA DIN 8188
Chain guides for roller chains as per DIN 8187 / ASA DIN 8188

天津市昊荣盛业机电设备有限公司
Tianjin HaoRongShengYe Electrical Equipment Co., Ltd.



链号 Chain DIN8187/8188	链号 Chain dimensions in inches	C 型 钢 槽	B	Hc	L	d1	d2	g	h1	h2	h3
06B-1	3/8" x 7/32"	C15V	30	24	52	6.6	4	9.4	5.5	8.9	10
083-1	1/2" x 3/16"	C15V	30	24	52	8	5	10.8	4.5	8	9.5
085-1	1/2" x 1/4"	C15V	30	24	52	8	5	11.8	6.2	9.8	11.3
08B-1	1/2" x 5/16"	C15V	30	24	52	8.9	5	12.8	7.4	11.5	13
10B-1	5/8" x 3/8"	C15V	30	24	52	10.6	6	15.4	9.3	13.5	14.9
12B-1	3/4" x 7/16"	C15V	30	24	52	12.4	7	17	11.3	15.9	17.5
35/06C-1	3/8" x 3/16"	C15V	30	24	52	5.3	4.5	10	4.4	7.8	9.3
40/08A-1	1/2" x 5/16"	C15V	30	24	52	8.3	5	13.2	7.4	11.7	13.4
50/10A-1	5/8" x 3/8"	C15V	30	24	52	10.7	6.4	16.5	8.8	14.5	16.2
60/12A-1	3/4" x 1/2"	C15V	30	24	52	12.5	7.4	19.8	11.8	18.5	20.5

单位 : mm, Dimensions in mm

CKG 16H-型 单排链条导轨

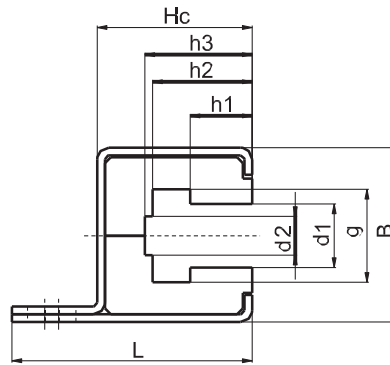
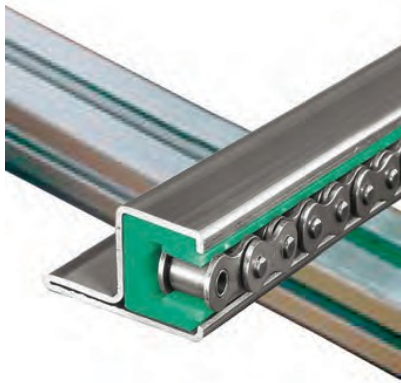
按照标准滚子链条 DIN 8187/ASA DIN 8188

Chain guides for roller chains as per DIN 8187/ASA DIN 8188

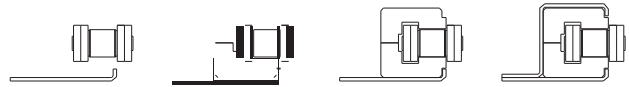
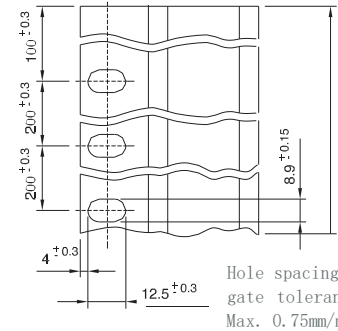
天津市昊荣盛业机电设备有限公司

Tianjin HaoRongShengYe Electrical Equipment Co., Ltd.

链号 Chain	链号 Chain	C 型 钢 槽	B	Hc	L	d1	d2	g	h1	h2	h3
DIN8187/8188	dimensions in inches										
16B-1	1" x 17mm	C16H	45	40	62	16.4	10.0	24.0	16.0	25.7	27.7
20B-1	1 1/4" x 3/4"	C16H	45	40	62	20.0	11.0	28.0	18.0	29.5	31.7
80 / 16A-1	1" x 5/8"	C16H	45	40	62	16.7	10.0	26.5	14.8	23.5	25.6
100 / 20A-1	1 1/4" x 3/4"	C16H	45	40	62	20.0	11.9	33.0	17.4	28.7	31.2



Punch hole in mounting rail



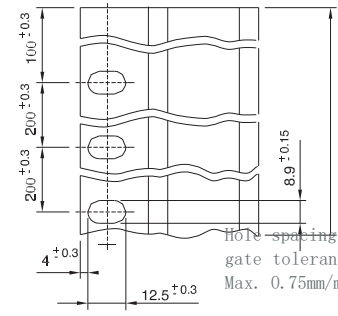
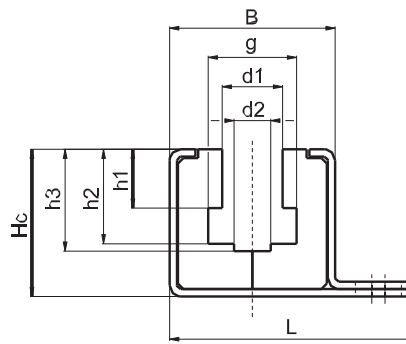
CKG 17V-型 单排链条导轨

按照标准滚子链条 DIN 8187/ASA DIN 8188

Chain guides for roller chains as per DIN 8187/ASA DIN 8188

Punch hole in mounting rail

链号 Chain	链号 Chain	C 型 钢 槽	B	Hc	L	d1	d2	g	h1	h2	h3
DIN8187/8188	dimensions in inches										
16B-1	1" x 17mm	C17V	45	40	67	16.4	10.0	24.0	16.0	25.7	27.7
20B-1	1 1/4" x 3/4"	C17V	45	40	67	20.0	11.0	28.0	18.0	29.5	31.7
80 / 16A-1	1" x 5/8"	C17V	45	40	67	16.7	10.0	26.5	14.8	23.5	25.6
100 / 20A-1	1 1/4" x 3/4"	C17V	45	40	67	20.0	11.9	33.0	17.4	28.7	31.2

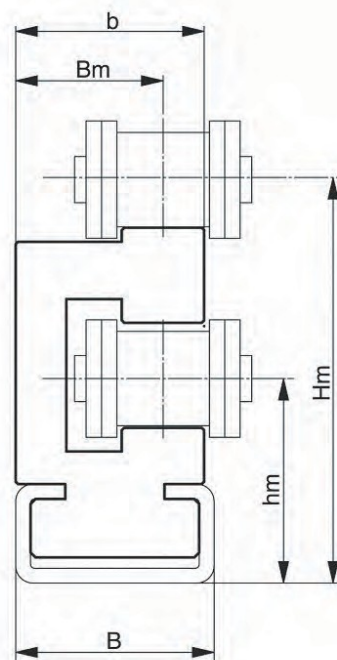


单位 : mm, Dimensions in mm

ETA-型 单排链条导轨

按照标准滚子链条 DIN 8187/ASA DIN 8188
Chain guides for roller chains as per DIN 8187/ASA DIN 8188

天津市昊荣盛业机电设备有限公司
Tianjin HaoRongShengYe Electrical Equipment Co., Ltd.



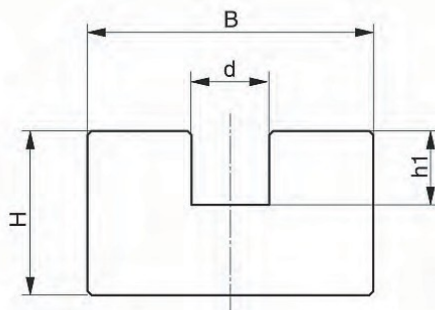
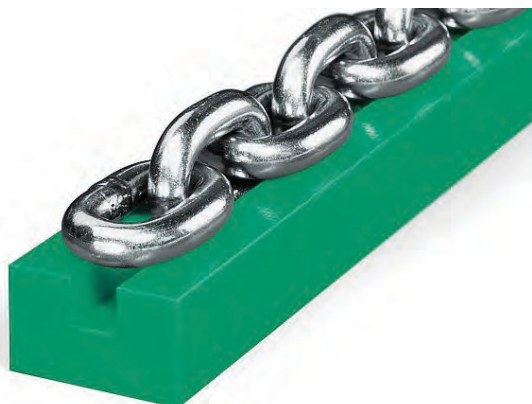
链号 Chain DIN 8187/8188	链号 Chain dimensions In inches	C 型 钢槽	B	Hm	b	Bm	hm
06B-1	3/8" x 7/32"	C3	20	30.2	17	14.5	17
08B-1	1/2" x 5/16"	C3	20	33.8	20	16.5	18
10B-1	5/8" x 3/8"	C3	20	41.1	20	15.5	21
12B-1	3/4" x 7/16"	C5	28	46.5	24	18.5	24
16B-1	1" x 17mm	C9	38	62	33	25	34
35/06C-1	3/8" x 3/16"	C3	20	32.7	17	15	18.7
40/08A-1	1/2" x 5/16"	C3	20	39.2	20	16.4	20.3
50/10A-1	5/8" x 3/8"	C5	28	46.4	24	19.7	24.3
60/12A-1	3/4" x 1/2"	C5	28	56.3	30	24.2	29.2
80/16A-1	1" x 5/8"	C9	38	76.4	38	30.7	40.3

单位：mm, Dimensions in mm

R-型 圆环链条导轨

按照标准圆环链 DIN766 /764
Chain guides for round link chains as per DIN766/764

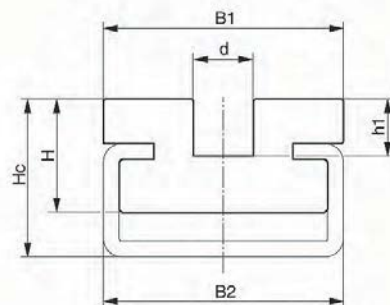
天津市昊荣盛业机电设备有限公司
Tianjin HaoRongShengYe Electrical Equipment Co., Ltd.



公称厚度 d DIN766/764 Nominal thickness d	B	H	d	h1
6	30	15	7	7
8	38	20	9	9
10	45	25	11.5	11
13	55	30	15	15

CRU-型 圆环链条导轨

按照标准圆环链 DIN766 /764
Chain guides for round link chains as per DIN766/764



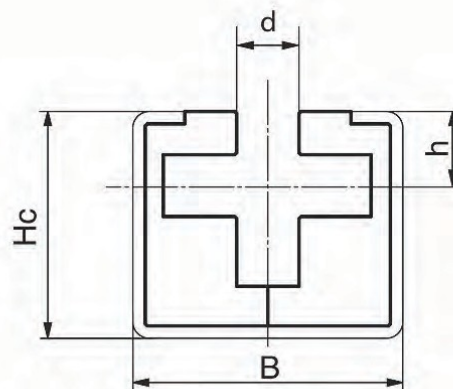
公称厚度 d DIN766/764 Nominal thickness d	C 型钢槽	B1	B2	H	Hc	d	H1
6	C5	30	28	14	18	7.0	7
8	C9	38	38	18	25	9.5	9
10	C9	45	38	18	28	11.5	11
13	C12	60	60	25	33	15.0	15

单位：mm, Dimensions in mm

CRG-型 圆环链条导轨选型指南

按照标准滚子链条 DIN 8187 / ASADIN 8188
Chain guides for roller chains as per DIN 8187 / ASADIN 8188

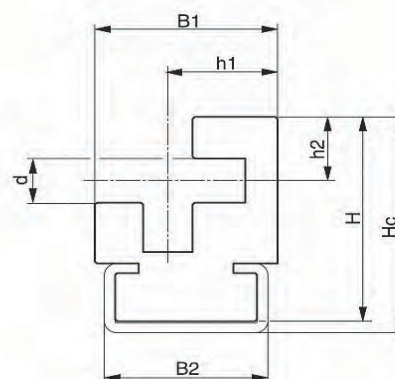
天津市昊荣盛业机电设备有限公司
Tianjin HaoRongShengYe Electrical Equipment Co., Ltd.



公称厚度 d DIN766/764 Nominal thickness d	C 型钢槽	B	Hc	d	H
6	C11	45	40	7.0	8.0
8	C11	45	40	9.5	9.5
10	C13	65	55	11.5	14.0
13	C13	65	55	15.0	18.0

CRO-型 圆环链条导轨

按照标准滚子链条 DIN 8187 / ASADIN 8188
Chain guides for roller chains as per DIN 8187 / ASADIN 8188



公称厚度 d DIN766/764 Nominal thickness d	C 型钢槽	B1	B2	H	Hc	d	H1	H2
6	C3	27	20	32	34	7.0	17.5	10.5
8	C5	32	28	39	42	9.5	20.5	12.5
10	C9	42.5	38	53	56	11.5	25.5	16.5
13	C12	60	60	67	70	15.0	33.5	20.5

单位：mm, Dimensions in mm

C 型钢槽简介 STEEL C PROFILES

客户需要选择安装导轨的方法，最有效和最方便的方法就是选用我们的配有 C 型钢槽的导轨进行固定安装。

Regardless of the fastening method chosen, you should design your plant so that the material can expand. The easiest and most efficient fastening method is to fasten the guide using our steel C profiles

与金属不同的是，当工作温度出现变化时，热塑性物料比较容易出现长度的改变，使用 C 型钢槽可以更容易固定导轨，也方便进行更换。

Unlike metals, thermoplastics are particularly predisposed to an increase / reduction in length when temperature variations occur. Mounting a guide in a steel C profile makes sense because of the freedom of movement afforded to the slide bar. This method also makes it easy to replace plastic guides.

导轨钢槽可以稳固导轨及焊接或用螺丝锁紧，我们建议使用 DIN 螺丝或头螺丝。

Steel C profiles also act as stable fasteners and can be welded or screwed on as required. We recommend the use of DIN screws or special assembly using T head bolts.

可提供的 钢槽类型 AVAILABLE VARIANTS (镀锌 { 有库存)

Galvanized (Stocked)

- 不锈钢 (有库存)

Stainless steel (Stocked)

- 未经处理 (按要求)

Untreated (upon request)

- 导轨安装 / 拆卸简易
Simple assembly/disassembly of the guide system

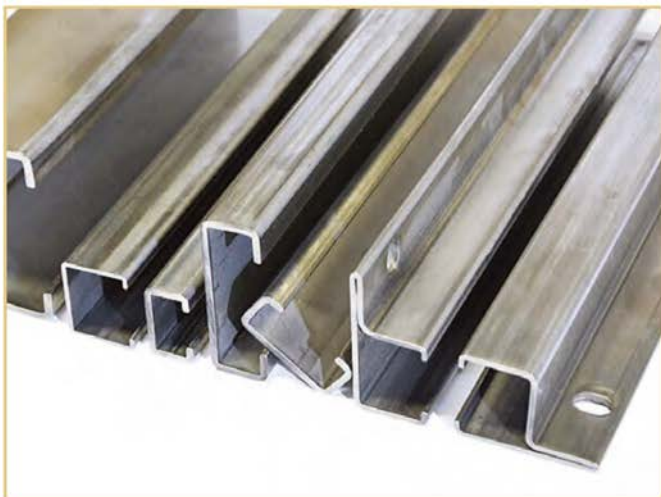
- 如导轨有劳损，更换方便快捷
Quick replacement procedure if wear occurs

- 只需确保塑料导轨不被推出钢槽
Plastic profiles only need to be secured against being pushed out once

- 高精度导向
Simple alignment of the guide system

- 只需螺丝紧固钢槽，可确保导轨不会变形
No distortion occurs when mounting the steel C profile if screws are used

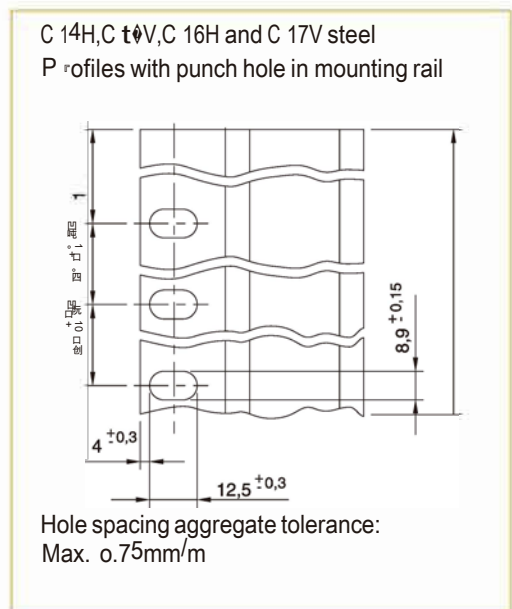
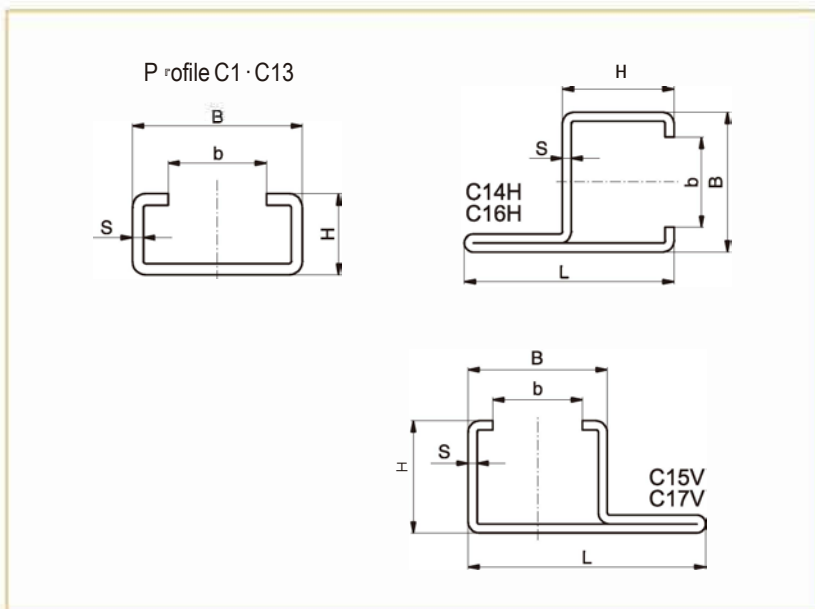
- 如工作温度改变，导轨可以有足够空间扩张或收缩
Guide can increase/decrease in length if temperature variations occur



C - 型钢槽镀锌钢槽和 SUS304 不锈钢槽
 GALVANIZED OR STAINLESS STEEL C PROFILES

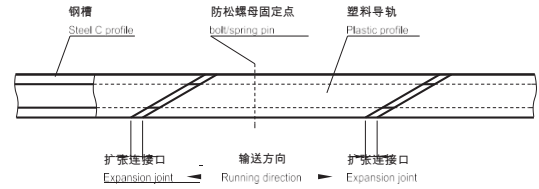
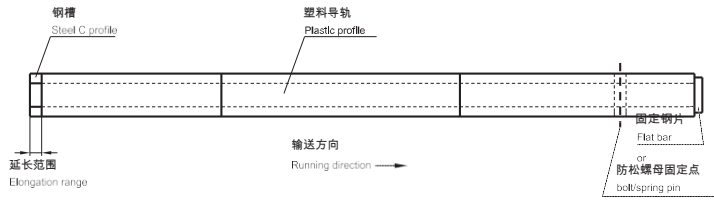
C - 型钢槽 No. Profile No.	B	H	b	s	L	C - 型钢槽长摩 Length
C1	24	5.2	17.5	1	-	2000
(3	20	10	10	1.5	-	2000
(4	50	10	35	1.5	-	2000
(5	28	12	14	1.5	-	2000
(6	80	10	65	1.5	-	2000
(7	28	16	14	1.5	-	2000
(9	38	18	22	1.5	-	2000
C10	30	24	20	1.5	-	2000
C11	45	40	31	1.5	-	2000
(12	60	20	36	1.5	-	2000
(13	65	55	40	1.5	-	2000
C14H	30	24	20	1.5	47	2000
C15V	30	24	20	1.5	52	2000
C16H	45	40	31	1.5	62	2000
C17V	45	40	31	1.5	67	2000

单位: mm, Dimensions in mm



链条/皮带/货物的单一或不同输送方向 Single or varying chain / belt / cargo direction

当导轨扩张时，塑料导轨会向输送方向的反方向扩张，因此请确认在导轨的开始部分是否有足够的预留空间给导轨的扩张。
When expansion takes place, the plastic guide moves up in the opposite direction to the running/conveying direction. You should therefore make sure that sufficient space for the anticipated expansion is provided at the start of the plastic guide.



钢槽的固定 FASTENING OF STEEL C PROFILES

With T-head bolts

T 头螺栓是为了与您的机器部件和 C 型钢槽之间的安全连接。

T-head bolts provide a secure connection between your machine element and our C profiles. As a rule, a simplex connection is used. Duplex connections are available if desired. Our application technology department will be glad to advise you to ensure that you obtain the best implementation for your requirements.

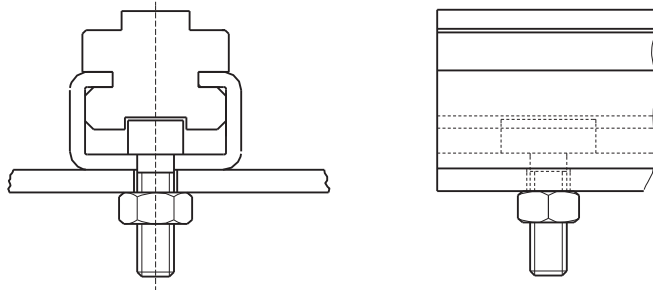
我们可以按照您提供的图纸钻或冲孔。

(T 型螺栓尺寸见下页)

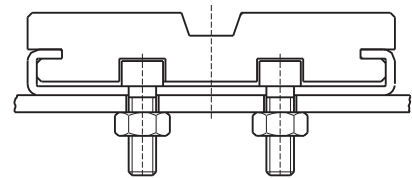
We can bore or punch individual hole patterns if you provide us with an appropriate drawing. For T-head bolt dimensions, see the following page.

- T 头螺栓可防止导轨同时转动
Milled groove for bolt head prevents simultaneous turning of T-head bolt
- 用螺母从下方固定 (T 头螺栓)
Fastening of screw nuts from below (with T-head bolts)
- 按您提供的图纸冲孔
Punching and boring of required hole pattern in accordance with individual drawings

One-track fastening (standard)



Two-track fastening
(optional for wide C6 and C12 profiles)

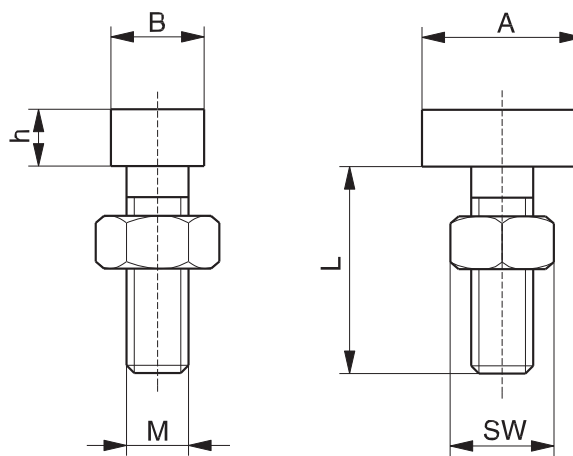


T 头螺丝 T-HEAD BOLTS

Galvanized/stainless steel

螺丝 (M x L) Thread (M x L)	适应 C 型钢槽 Suitable for these steel Cprofiles	A in mm	B in mm	h in mm	材料 Material	型号 Type
M6x20	C1, C3, C4, C5, C6, C7, C9, C10, C11, C12, C13	18.0	9.5	4	Galvanized	-
M6x20	C1, C4, C5, C6, C7, C9, C12	15.5	9.0	6	Galvanized	20/12
M6x30	C1, C4, C5, C6, C7, C9, C12	15.5	9.0	6	Galvanized	20/12
M6x40	C1, C4, C5, C6, C7, C9, C12	15.5	9.0	6	Galvanized	20/12
M8x20	C4, C6, C7, C9, C12	15.5	9.0	6	Galvanized	20/12
M8x30	C4, C6, C7, C9, C12	15.5	9.0	6	Galvanized	20/12
M8x40	C4, C6, C7, C9, C12	15.5	9.0	6	Galvanized	20/12
M8x20	C4, C6, C7, C9, C12	23.0	11.0	6	Galvanized	28/15
M8x30	C4, C6, C7, C9, C12	23.0	11.0	6	Galvanized	28/15
M8x40	C4, C6, C7, C9, C12	23.0	11.0	6	Galvanized	28/15
M10x20	C4, C6, C7, C9, C11, C12, C13	23.0	11.0	7	Galvanized	28/15
M10x30	C4, C6, C7, C9, C11, C12, C13	23.0	11.0	7	Galvanized	28/15
M10x40	C4, C6, C7, C9, C11, C12, C13	23.0	11.0	7	Galvanized	28/15
M10x20	C6, C9, C12	31.0	13.5	9	Galvanized	38/17
M10x30	C6, C9, C12	31.0	13.5	9	Galvanized	38/17
M12x40	C6, C11, C12, C13	31.0	13.5	9	Galvanized	38/17
M6x20	C1, C3, C4, C5, C6, C7, C9, C10, C11, C12, C13	18.0	9.5	4	V2A	-
M8x20	C4, C6, C7, C9, C12	15.5	9.0	6	V2A	20/12
M8x30	C4, C6, C7, C9, C12	15.5	9.0	6	V2A	20/12

Please speak with our application technology department to determine the best T-head screw for your needs. We can provide the appropriate models including nuts for one-track and two-track connections.





地址：天津市南开区密云路五金城 3-10-5

电话：(86) 022 87806500

[Http://www.tjhrsy.com](http://www.tjhrsy.com)

E-mail: annaxinxin308@tjhrsy.com